

# Filter Housing SG Standard

The steel standard filter housings with econometer and pneumatic drain are designed for the purification of compressed air and gases. Due to the modular design of the housings different filter elements can be used.

## Product description:

SG standard housings are designed for the purification of compressed air and gases in an industrial operation. The flanged housings due to an optimized construction offer low differential pressures at high flow rates and as a standard equipped with an econometer and a pneumatic drain. A multitude of various housings with different connections, single or multiple, allow to match the requirements of the application, e. g. the compressor size. This product series offers 13 different housings ranging from a volume flow of 1080 m<sup>3</sup>/h to 38400 m<sup>3</sup>/h (related to 7 bar (ü) and 20°C).

The SG standard filter housing conforms to the requirements of the European directive 87/404/EG for simple pressure vessels.



SG Standard

## Technical data

Materials:	
Filter Housing EG-type approval	Steel
Econometer: differential gauge	Plastic
Drain Pneumatic drain	Aluminium
Sealing acc. to DIN 2690	Asbestos-free Aramide fibers

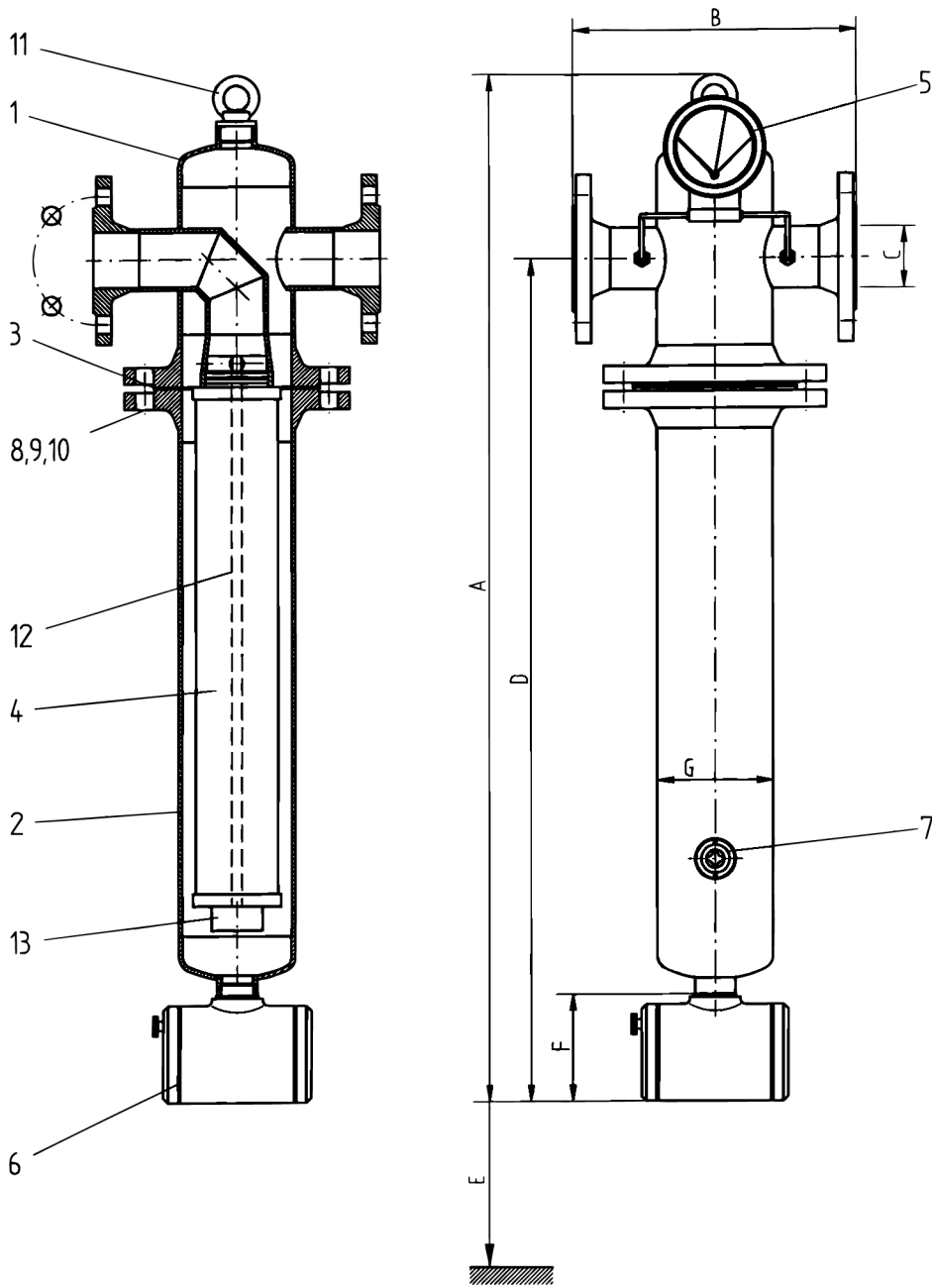
Maximum operating pressure:	
0108-0288	PN 16
0432-3840	PN 16

Maximum operating temperature:
120°C

Surface finish:
Polyester resin coating

Connection IN/OUT:
Flange DN 50 to DN 300 ; DIN 2633

Technical alterations reserved (Date 03/03)



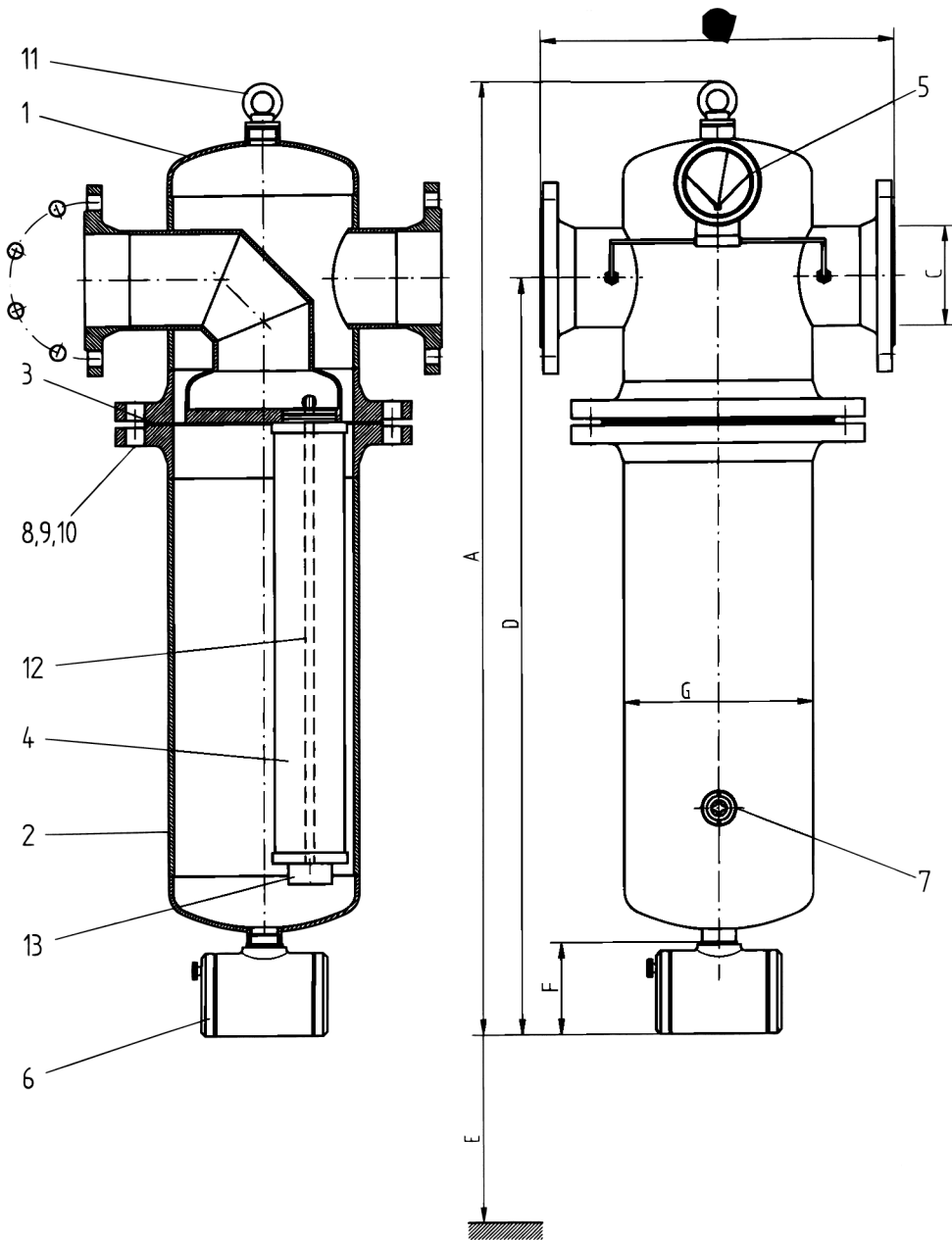
Pos.	Piece	Description
13		knurled nut
12		anchor bolt
11		lifting eye bolt
10		washer
9		hexagon nut
8		hexagon bolt
7		sight glass
6		drain
5		econometer
4		filter element
3		housing gasket
2		lower housing bowl
1		upper housing bowl

Max. working pressure:	16 bar
Test pressure:	20.8 bar
Max. working temperature:	120 °C
Material:	carbon steel
Paint coat:	polyester resin coating

Size	Volume (l)	Weight* (kg)	A mm	B mm	C	D mm	E mm	F mm	Ø G mm	Element size
0108	7.5	28	1015	280	DN 50	830	450	105	114.3	15/30
0144	8.0	33	1015	280	DN 65	830	580	105	114.3	20/30
0192	16.0	40	1315	320	DN 80	1120	850	105	139.7	30/30
0288	23.5	54	1350	360	DN 80	1135	850	105	168.3	30/50

\* without filter element

Technical alterations reserved (Date 03/03)



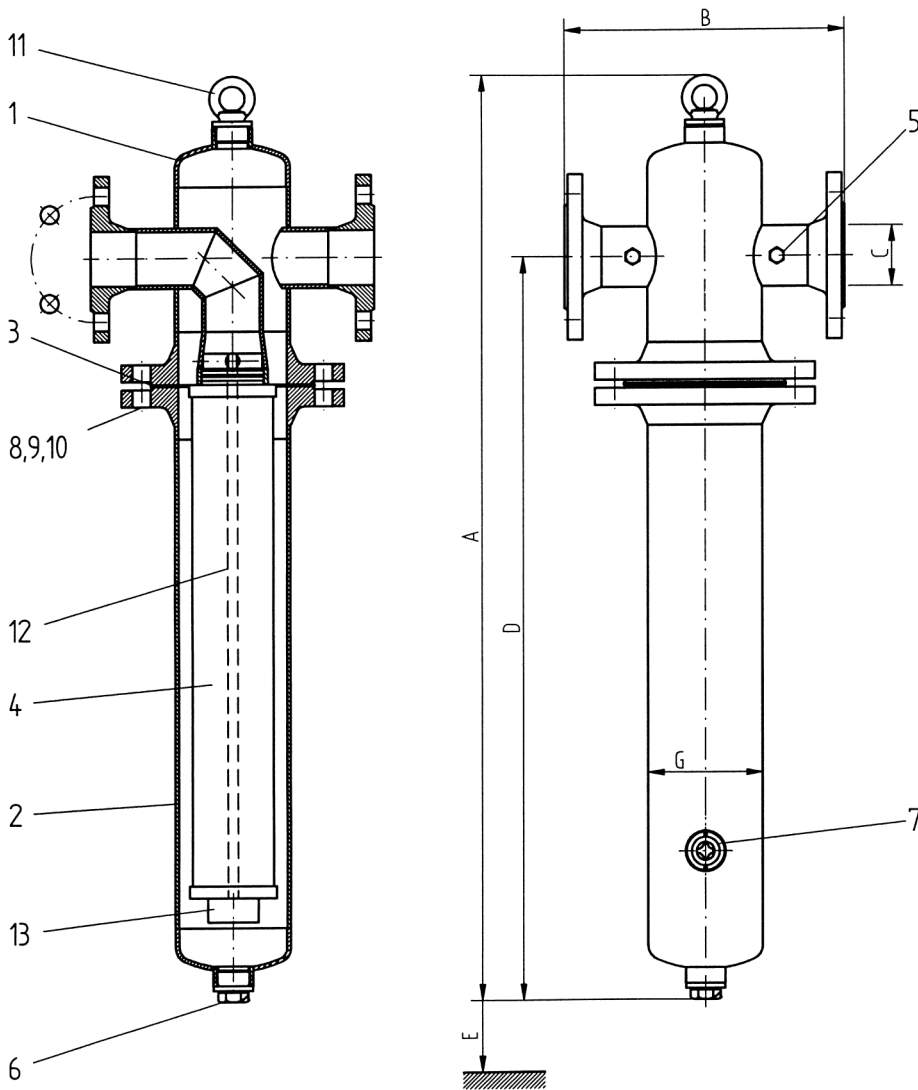
Pos.	Piece	Description
13		knurled cut
12		anchor bolt
11		lifting eye bolt
10		washer
9		hexagon nut
8		hexagon bolt
7		sight glass
6		drain
5		econometer
4		filter element
3		housing gasket
2		lower housing bowl
1		upper housing bowl

Max. working pressure:	16 bar
Test pressure:	20.8 bar
Max. working temperature:	120 °C
Material:	carbon steel
Paint coat:	polyester resin coating

Size	Volume (l)	Weight* (kg)	A mm	B mm	C	D mm	E mm	F mm	Ø G mm	Element
0432	31	80	1100	410	DN 100	870	580	105	219.1	3x20/30
0576	40	90	1370	410	DN 100	1140	850	105	219.1	3x30/30
0768	70	130	1485	480	DN 150	1210	875	105	273	4x30/30
1152	103	150	1515	540	DN 150	1225	875	105	323.9	6x30/30
1536	168	236	1625	660	DN 200	1285	875	105	406.4	8x30/30
1920	168	240	1625	660	DN 200	1285	875	105	406.4	10x30/30
2304	312	376	1730	800	DN 250	1350	875	105	508	12x30/30
3072	312	380	1730	800	DN 250	1350	875	105	508	16x30/30
3840	463	530	1870	930	DN 300	1445	900	105	600	20x30/30

\* without filter element

Technical alterations reserved (Date 03/03)

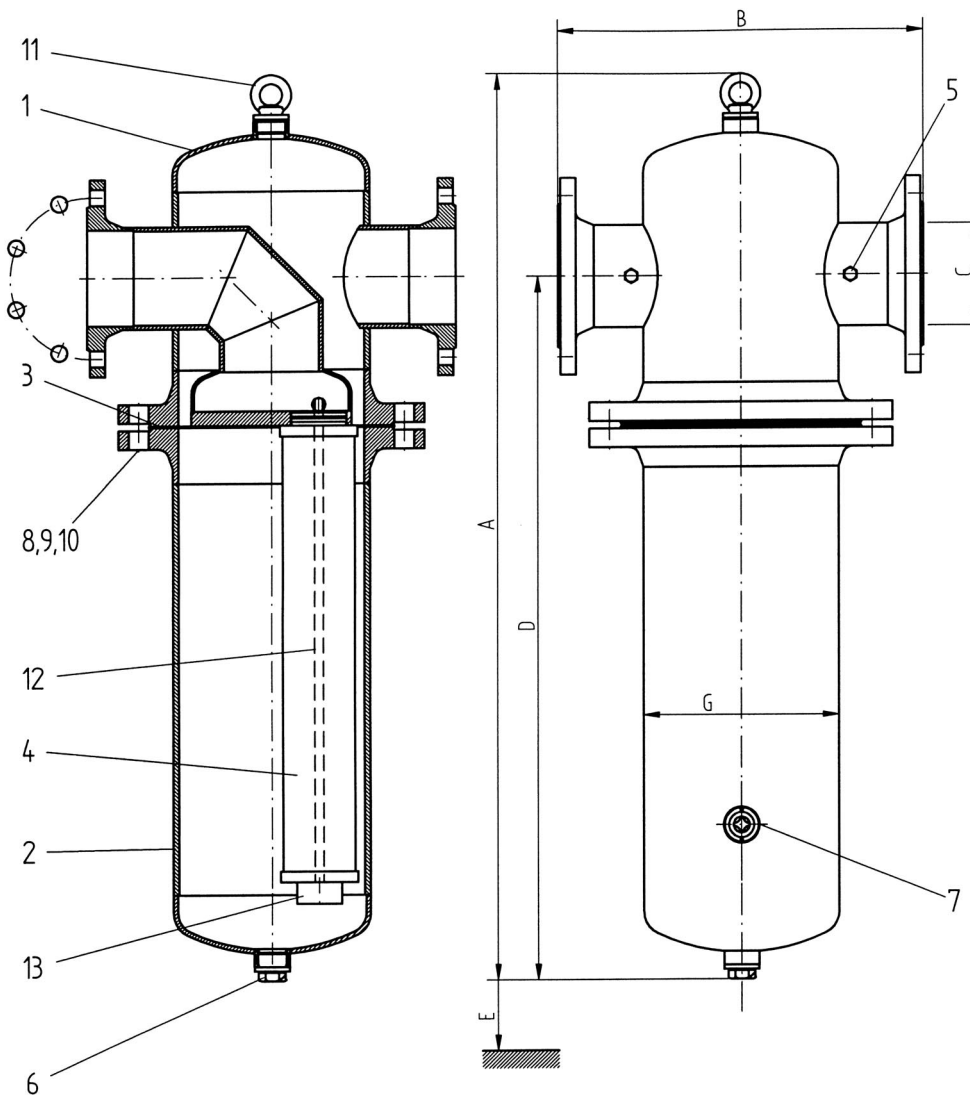


Pos.	Piece	Description
13		knurled nut
12		anchor bolt
11		lifting eye bolt
10		washer
9		hexagon nut
8		hexagon bolt
7		sight glass
6		screw plug
5		screw plug
4		filter element
3		housing gasket
2		lower housing bowl
1		upper housing bowl

max. working pressure:	16 bar
test pressure:	20,8 bar
max. working temperature:	120 °C
material	carbon steel
paint coat:	polyester resin coating

Size	Volume (l)	Weight* (kg)	A mm	B mm	C	D mm	E mm	Ø G mm	Element
0108	7,5	28	930	280	DN 50	735	450	114,3	15/30
0144	8,0	33	930	280	DN 65	735	580	114,3	20/30
0192	16,0	40	1230	320	DN 80	1035	850	139,7	30/30
0288	23,5	54	1260	360	DN 80	1050	850	168,3	30/50

\* without filter element



Pos.	Piece	Description
13		knurled nut
12		anchor bolt
11		lifting eye bolt
10		washer
9		hexagon nut
8		hexagon bolt
7		sight glass
6		screw plug
5		screw plug
4		filter element
3		housing gasket
2		lower housing bowl
1		upper housing bowl

Max. working pressure:	16 bar
Test pressure:	20.8 bar
Max. working temperature:	120 °C
Material:	carbon steel
Paint coat:	polyester resin coating

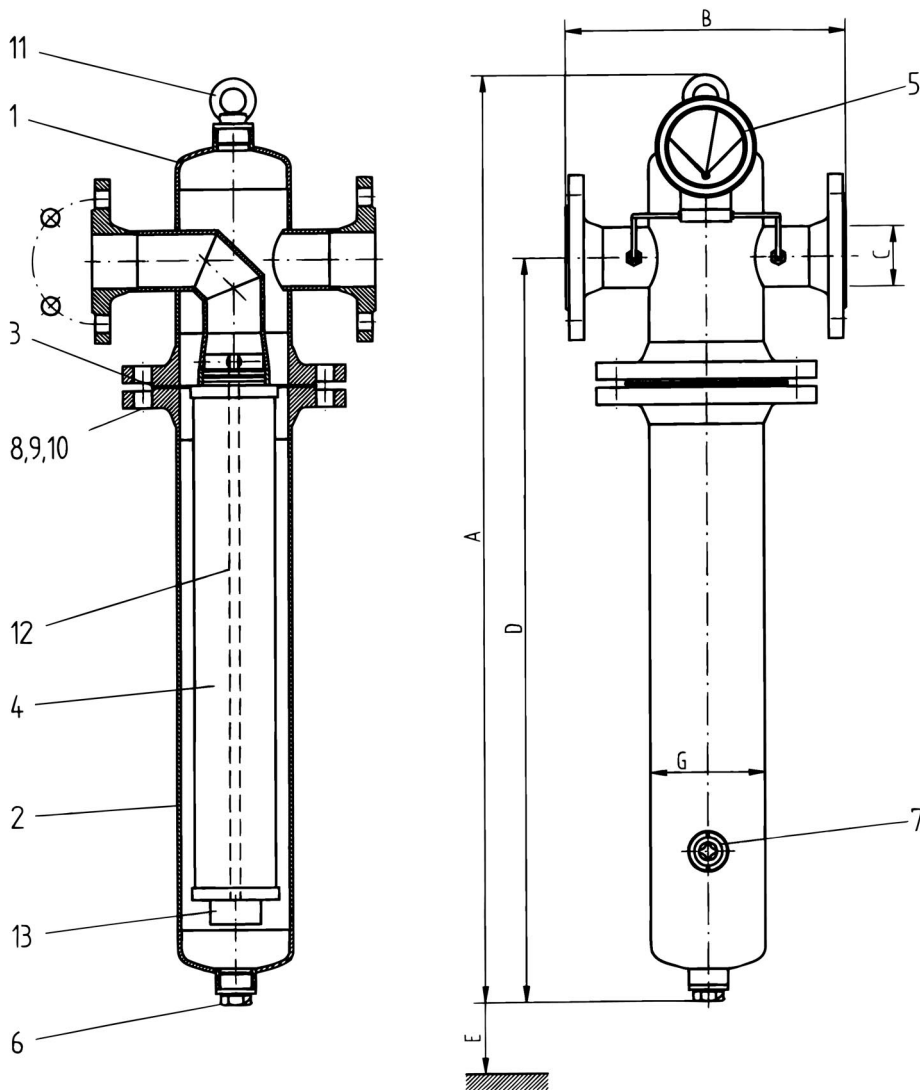
Size	Volume (l)	Weight* (kg)	A mm	B mm	C	D mm	E mm	Ø G mm	Element
0432	31	80	1010	410	DN 100	780	580	219.1	3 x 20/30
0576	40	90	1280	410	DN 100	1050	850	219.1	3 x 30/30
0768	70	130	1400	480	DN 150	1120	875	273	4 x 30/30
1152	103	150	1425	540	DN 150	1140	875	323.9	6 x 30/30
1536	168	236	1535	660	DN 200	1195	875	406.4	8 x 30/30
1920	168	240	1535	660	DN 200	1195	875	406.4	10 x 30/30
2304	312	376	1650	800	DN 250	1270	875	508	12 x 30/30
3072	312	380	1650	800	DN 250	1270	875	508	16 x 30/30
3840	463	530	1780	930	DN 300	1355	900	600	20 x 30/30

\* without filter element

Technical alterations reserved (Date 03/03)

Pos.	Piece	Description
13		knurled nut
12		anchor bolt
11		lifting eye bolt
10		washer
9		hexagon nut
8		hexagon bolt
7		sight glass
6		screw plug
5		economizer
4		filter element
3		housing gasket
2		lower housing bowl
1		upper housing bowl

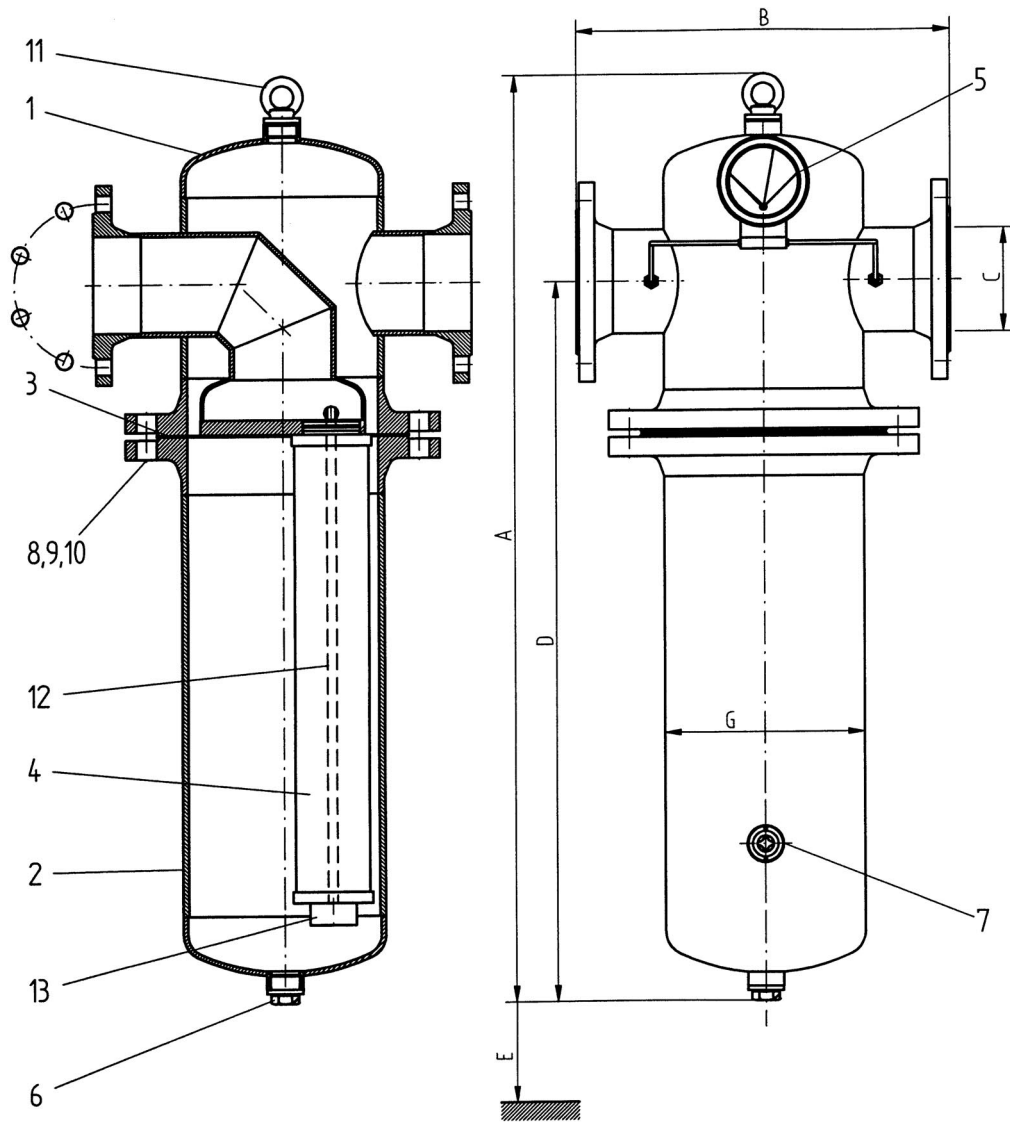
Max. working pressure:	16 bar
Test pressure:	20,8 bar
Max. working temperature:	120 °C
Material	carbon steel
Paint coat:	polyester resin coating



Size	Volume (l)	Weight* (kg)	A mm	B mm	C	D mm	E mm	Ø G mm	Element
0108	7.5	26.5	930	280	DN 50	735	450	114.3	15/30
0144	8.0	31.5	930	280	DN 65	735	580	114.3	20/30
0192	16.0	38.5	1230	320	DN 80	1035	850	139.7	30/30
0288	23.5	52.5	1260	360	DN 80	1050	850	168.3	30/50

\* without filter element

Technical alterations reserved (Date 03/03)



Pos.	Piece	Description
13		knurled nut
12		anchor bolt
11		lifting eye bolt
10		washer
9		hexagon nut
8		hexagon bolt
7		sight glass
6		screw plug
5		econometer
4		filter element
3		housing gasket
2		lower housing bowl
1		upper housing bowl

Max. working pressure:	16 bar
Test pressure:	20.8 bar
Max. working temperature:	120°C
Material:	carbon steel
Paint coat:	polyester resin coating

Size	Volume (l)	Weight* (kg)	A mm	B mm	C	D mm	E mm	Ø G mm	Element
0432	31	78.5	1010	410	DN 100	780	580	219.1	3 x 20/30
0576	40	88.5	1280	410	DN 100	1050	850	219.1	3 x 30/30
0768	70	128.5	1400	480	DN 150	1120	875	273	4 x 30/30
1152	103	148.5	1430	540	DN 150	1140	875	323.9	6 x 30/30
1536	168	234.5	1535	660	DN 200	1195	875	406.4	8 x 30/30
1920	168	238.5	1535	660	DN 200	1195	875	406.4	10 x 30/30
2304	312	374.5	1650	800	DN 250	1270	875	508	12 x 30/30
3072	312	378.5	1650	800	DN 250	1270	875	508	16 x 30/30
3840	463	528.5	1780	930	DN 300	1355	900	600	20 x 30/30

\* without filter element

Technical alterations reserved (Date 03/03)